

Cryogenic Divertor Valves, bronze, 725 P.S.I.

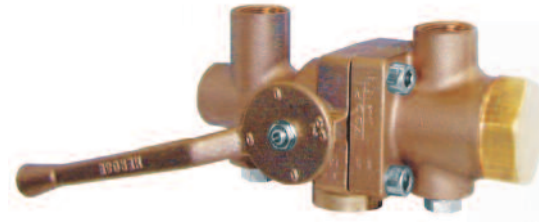
for the installation of two Safety Valves,
provided for bursting disc connections,
“ cleaned and degreased for oxygen service “

Part No. 06510.X.6***

Female thread connection NPT acc. to ANSI B 1.20.1

Available options - on request only:

- two extra test connections 1/4" edgeways
- Inlet: female thread (GW) 1/2" or 3/4"
- Outlet GA1 with installed locking sleeve for easy positioning of safety valves
- Combination of different outlet threads GA1 - GA2

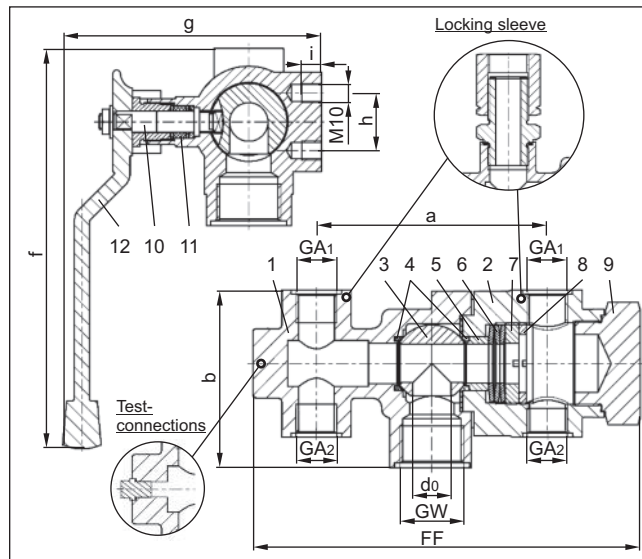


DVBB Series

Applications:

Approved for air gases, vapours and cryogenic liquefied gases incl. LNG.
Working temperature: -196°C / -321°F (77K) up to +120°C / +248°F (393K)

Materials		ASTM
1	Body I	B 62 UNS C83600
2	Body II	B 62 UNS C83600
3	Ball	A 276 Grade 316Ti
4	Seat rings	PCTFE
5	Bush	B 283 UNS C38500
6	Spring plates	A 276 Grade 316Ti
7	Spring clamp	B 283 UNS C38500
8	Thread ring	B 283 UNS C38500
9	Plug	B 283 UNS C38500
10	Stem	A 276 Grade 304
11	Gland packing	Graphite / PTFE
12	Lever	B 62 UNS C83600



Marking acc. to Directive 99/36/EG (TPED) will only be carried out by written notice on purchase order.

Important: The valves must be fixed at the provided threads M10.

Type 06510 – Standard design	Technical data		
Nominal size	Inches	0.79"	0.79"
Dimension code	.X.	2004	2006
Flow diameter	d ₀	20	20
Inlet	GW	1	1
Outlet	GA ₁	1/2	3/4
Outlet	GA ₂	1/2	1/2
Face-to-face dimension	FF	201	201
Length	a	120	120
Height	b	92	92
Length	f	208	208
Length	g	134	134
Length	h	30	30
Thread depth	i	10	10
Weight	LBS.	10.56	20.24
Cv – Value, one side open	gal/min	9.2	9.2

Dimensions in mm