

Cryogenic Divertor Valves, bronze, 725 P.S.I.

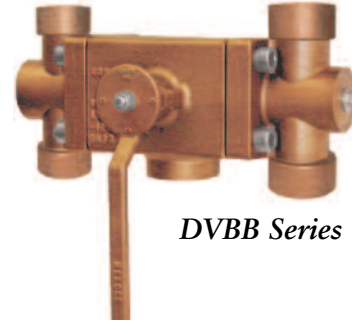
for the installation of two Safety Valves,
provided for bursting disc connections,
“ cleaned and degreased for oxygen service “

Part No. 06510.X.6000

Female thread connection NPT acc. to ANSI B 1.20.1

Available options - on request only:

- Inlet with union type braze or butt weld fitting
- two extra test connections 1/4" edgways
- Outlet GA1 with installed locking sleeve for easy positioning of safety valves
- Combination of different outlet threads GA1 - GA2

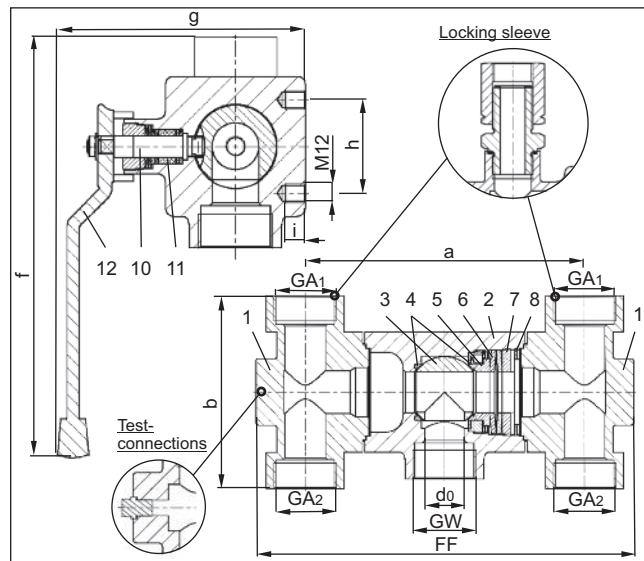


DVBB Series

Applications:

Approved for air gases, vapours and cryogenic liquefied gases incl. LNG.
Working temperature: -196°C / -321°F (77K) up to +120°C / +248°F (393K)

Materials	ASTM
1 Body I	B 62 UNS C83600
2 Body II	B 62 UNS C83600
3 Ball	A 276 Grade 316Ti
4 Seat rings	PCTFE
5 Bush	B 283 UNS C38500
6 Spring plates	A 276 Grade 316Ti
7 Spring clamp	B 283 UNS C38500
8 Thread ring	B 283 UNS C38500
10 Stem	A 276 Grade 304
11 Gland packing	Graphite / PTFE
12 Lever	B 62 UNS C83600



Standard marking acc. to Pressure Equipment Directive 97/23/EG (PED).



Marking acc. to Directive 99/36/EG (TPED) will only be carried out by written notice on purchase order.



Important: The valves must be fixed at the provided threads M12.

Type 06510 – Standard design	Technical data		
Nominal size	Inches	1.260"	1.260"
Dimension code	.X.	3212	3214
Flow diameter	d ₀	32	32
Inlet	GW	1-1/2	1-1/2
Outlet	GA ₁	1-1/4	1-1/2
Outlet	GA ₂	1-1/4	1-1/2
Face-to-face dimension	FF	284	284
Length	a	210	210
Height	b	145	145
Length	f	245	245
Length	g	160	160
Length	h	60	60
Thread depth	i	12.5	12.5
Weight	LBS.	29.7	29.7
Cv – Value, one side open	gal/min	19.4	19.4

Dimensions in mm