

**Cryogenic Divertor Valves, bronze, 725 P.S.I.**

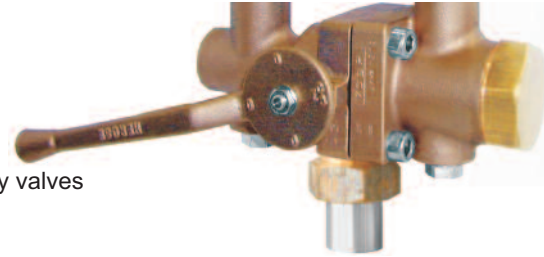
for the installation of two Safety Valves,  
provided for bursting disc connections,  
“ cleaned and degreased for oxygen service “

**Part No. 06510.X.6026**

Inlet: union type butt weld fitting for pipe 33,4mm S10  
Outlet: female thread connection NPT acc. to ANSI B 1.20.1

Available options - on request only:

- two extra test connections 1/4" edgeways
- Inlet: union type braze or butt weld fitting for other pipe diameter
- Outlet GA1 with installed locking sleeve for easy positioning of safety valves
- Combination of different outlet threads GA1 - GA2

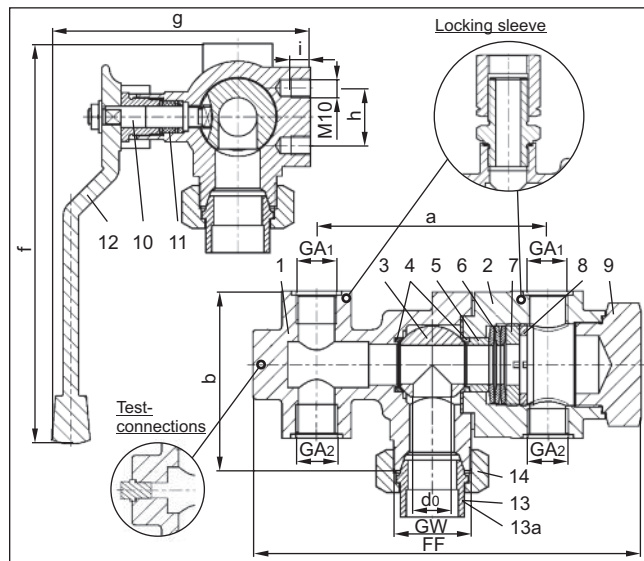


*DVBBW Series*

**Applications:**

Approved for air gases, vapours and cryogenic liquefied gases incl. LNG.  
Working temperature: -196°C / -321°F (77K) up to +120°C / +248°F (393K)

Materials	ASTM
1 Body I	B 62 UNS C83600
2 Body II	B 62 UNS C83600
3 Ball	A 276 Grade 316Ti
4 Seat rings	PCTFE
5 Bush	B 283 UNS C38500
6 Spring plates	A 276 Grade 316Ti
7 Spring clamp	B 283 UNS C38500
8 Thread ring	B 283 UNS C38500
9 Plug	B 283 UNS C38500
10 Stem	A 276 Grade 304
11 Gland packing	Graphite / PTFE
12 Lever	B 62 UNS C83600
13 Braze fitting	B 505 UNS C93200
13a Weld fitting	A 276 Grade 304
14 Union nut	B 505 UNS C93200



Marking acc. to Directive 99/36/EG (TPED) will only be carried out by written notice on purchase order.

**Important:** The valves must be fixed at the provided threads M10.

Type 06510 – Standard design	Technical data		
Nominal size	Inches	0.790"	0.790"
Dimension code	.X.	2040	2060
Flow diameter	d <sub>0</sub>	20	20
Inlet	GW	M40x2	M40x2
Outlet	GA <sub>1</sub>	1/2	3/4
Outlet	GA <sub>2</sub>	1/2	1/2
Face-to-face dimension	FF	201	201
Length	a	120	120
Height	b	92	92
Length	f	208	208
Length	g	134	134
Length	h	30	30
Thread depth	i	10	10
Weight	LBS.	11.22	11.0
Cv – Value, one side open	gal/min	9.2	9.2

Dimensions in mm