

### Cryogenic Changeover Valves, stainless steel, PN125

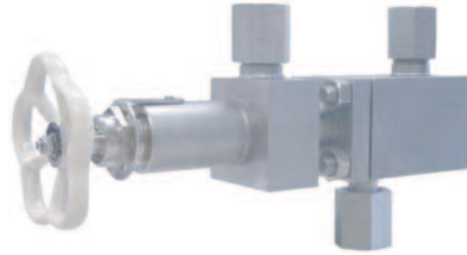
for the installation of two Safety Valves,  
with two test connections G 1/4,  
" cleaned and degreased for oxygen service "

#### Part No. 06401.0250.9045

In- and Outlet: locking sleeve G 1

#### Part No. 06401.0250.9\*\*\*

\*\*\* Changeover Valves with other threads for  
Vessel or safety valve connection on request, working pressure up to PN250



COVSS Series

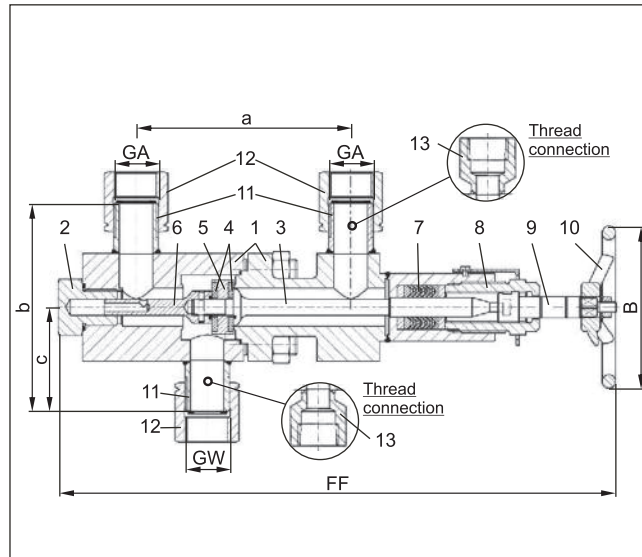
#### Available options - on request only:

- Changeover valves with pneumatic or electric actuator
- Inlet GW and/or outlet GA with female thread (G) acc. to ISO 228/1
- Inlet GW and/or outlet GA with female thread NPT acc. to ANSI B 1.20.1
- Combination of different thread connections GW - GA

#### Applications:

Approved for air gases, vapours and cryogenic liquefied gases incl. LNG.  
Working temperature: -196°C / -321°F (77K) up to +185°C / +365°F (458K)

Materials	ASTM
1 Body	A 276 Grade 316Ti
2 Plug	A 276 Grade 316Ti
3 Disc stem	A 276 Grade 316Ti
4 Valve seal	PCTFE
5 Disc	A 276 Grade 316Ti
6 Disc stem	A 276 Grade 316Ti
7 Gland packing	PTFE / Carbon filled (25%)
8 Head piece	B 103 UNS C51900 nickel plated
9 Stem	A 276 Grade 316Ti
10 Handwheel	Aluminium alloy
11 Welding piece	A 276 Grade 316Ti
12 Locking sleeve	A 276 Grade 316Ti
13 Thread connection	A 276 Grade 316Ti



Type 06410 – Standard design	Technical data	
Nominal size	Inches	1"
Inlet	GW	G 1 LH
Outlet	GA	G 1 LH
Face-to-face dimension	FF	415
Handwheel-Ø	B	120
Length	a	160
Height	b	160
Length	c	80
Length	g	160
Weight	LBS.	25.74
Cv – Value, one side open	gal/min	15.0
Cv – Value, central position	gal/min	17.9

Dimensions in mm