

Cryogenic-Fill cluster, 725 P.S.I.

Bronze body and topwork
with check function and drain valve
“live loaded” gland packing
“cleaned and degreased for oxygen service “

Part No. 07004.X.7027

Fill connection: Mueller flange
Complete with brazed stainless steel stubs acc. to ASTM A312

Available options - on request only:

· brazed stainless steel stubs acc. to DIN EN ISO 1127

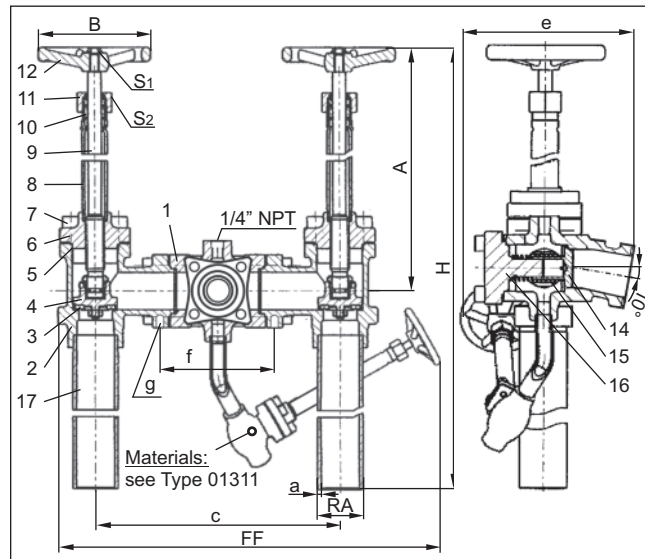


FCCMF Series

Applications:

Approved for air gases, vapours and cryogenic liquefied gases incl. LNG.
Working temperature: -196°C / -321°F (77K) up to +120°C / +248°F (393K)

Materials	ASTM
1 Fill body	B 62 UNS C83600
2 Body	B 62 UNS C83600
3 Valve seal	PTFE / Carbon filled (25%)
4 Disc	B 283 UNS C38500
5 Bonnet gasket	PTFE
6 Headpiece	B 505 UNS C93200
7 Bolts	A 194 B8
8 Elongation tube	A 213 TP 321
9 Stem	A 276 Grade 304
10 Gland packing	Graphite / PTFE
11 Gland nut	B 283 UNS C38500
12 Handwheel	Aluminium alloy
14 Check disc	B103 UNS C51900
15 Spring	A 276 Grade 316Ti
16 Cap	B 62 UNS C83600
17 Stainless steel stubs	A 312 TP304L



Standard marking acc. to Pressure Equipment Directive 97/23/EG (PED).



Type 07004 – Standard design	Technical data			
Nominal size	Inches	1"	1½"	
Dimensions code	.X.	2533	4048	
Face-to-face dimension	FF	340	340	
Outside pipe-ø ASTM A312	RA	33.40	48.26	
Wall thickness pipe ASTM A312	a	S10	S10	
Height	A	370	370	
Height	H	735	735	
Length	c	260	260	
Length	e	235	245	
Length	f	125	125	
Thread	g	M10, 11 mm deep	M12, 13 mm deep	
Handwheel-ø	B	100	125	
Wrench size across flats	S ₁	10	13	
Wrench size across flats	S ₂	30	36	
Weight	LBS.	34	43	

Dimensions in mm