

**Cryogenic-Gate Valves with Pneumatic Actuator, 725 P.S.I.**

air pressure for operation 6.0 bar ü (maximal 10.0 bar ü),  
Stainless steel body and topwork,  
Actuator - air opens, spring closes  
one way tightening (in flow direction),  
“live loaded” gland packing  
“cleaned and degreased for oxygen service ” - the actuator is not cleaned and degreased for oxygen

**Part No. 09343.X.T02\***

\*Butt weld connection for stainless steel pipes acc. to DIN EN ISO 1127 or ASTM A312

**Part No. 09343.X.T024**

Socket weld connection for stainless steel pipes acc. to DIN EN ISO 1127 and ASTM A312

Available options - on request only:

- other connections are in preparation

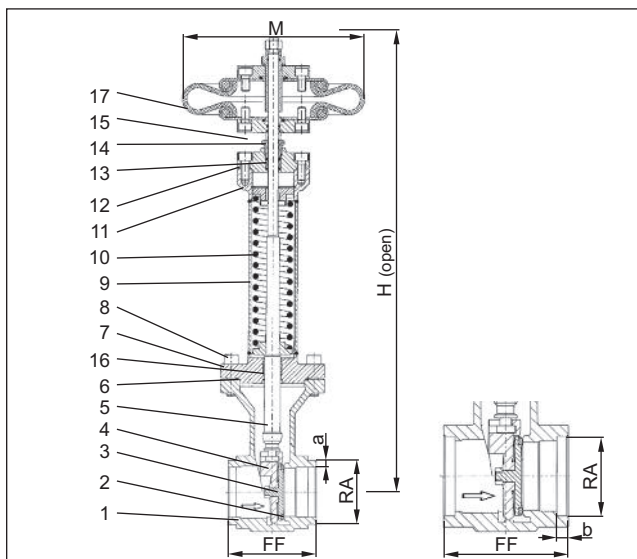


*GTVPASS Series*

**Applications:**

Approved for air gases, vapours and cryogenic liquefied gases incl. LNG.  
Working temperature: -196°C / -321°F (77K) up to +120°C / +248°F (393K)

Materials	ASTM
1 Body	A 351 CF8
2 Valve seal	PTFE / Carbon filled (25%)
3 Disc	B 103 UNS C51900
4 Wedge	A 351 CF8
5 Stem	A 276 Grade 304
6 Bonnet gasket	PTFE
7 Headpiece	A 351 CF8
8 Bolts	A 194 B8
9 Elongation tube	A 213 TP 321
10 Spring	A 276 Grade 316Ti
11 Flange	A 276 Grade 304
12 Headpiece	A 276 Grade 304
13 Gland packing	Graphite / PTFE
14 Gland nut	A 276 Grade 303
15 Pillars	A 276 Grade 304
16 Bush	B 103 UNS C51900
17 Actuator	Rubber



Standard marking acc. to Pressure Equipment Directive 97/23/EG (PED).



Marking acc. to Directive 99/36/EG (TPED) will only be carried out by written notice on purchase order.



Type 09343	Technical data	Nominal size				
		1"	1½"	2"	2½"	3"
Nominal size	Inches	1"	1½"	2"	2½"	3"
Dimensions code	.X.	-	4048	5060	657x	8088
Face-to-face dimension	FF	-	133	110	110	110
Height	H	-	560	590	630	650
Outside pipe -ø ATSM A312	RA	-	48.26	60.33	73.03	88.90
Wall thickness pipe ASTM A312	a	-	S10	S10	S10	S10
Socket depth	b	-	13	16	16	16
Actuator-ø	M	-	229	229	229	229
Weight	LBS.	-	24.42	29.7	32.78	38.5
CV-Value	gal/min	-	111	149	337	369

Dimensions in mm