

Cryogenic-Globe and Globe/Check Valves, 725 P.S.I.

Stainless steel body and topwork,
“live loaded” gland packing
“ cleaned and degreased for oxygen service “

Part No. 01342.X.001* (H = 270mm)

Part No. 01342.X.002* (H = 370mm)

*Butt weld connection for stainless steel pipes acc. to DIN EN ISO 1127 or ASTM A312

Part No. 01342.X.0014 (H = 270mm)

Part No. 01342.X.0024 (H = 370mm)

Socket weld connection for stainless steel pipes acc. to DIN EN ISO 1127 and ASTM A312

Available options - on request only:

- Extension H up to 900mm (36")
- Valve with control disc (tapered design)

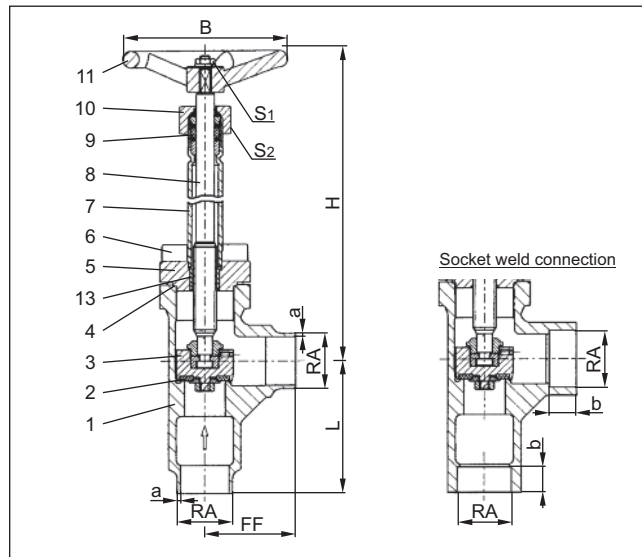


GVATSS Series

Applications:

Approved for air gases, vapours and cryogenic liquefied gases incl. LNG.
Working temperature: -196°C / -321°F (77K) up to +120°C / +248°F (393K)

Materials	ASTM
1 Body	A 351 CF8
2 Valve seal	PTFE / Carbon filled (25%)
3 Disc	A 276 Grade 304
4 Bonnet gasket	PTFE
5 Headpiece	A 276 Grade 304
6 Bolts	A 194 B8
7 Elongation tube	A 213 TP 321
8 Stem	A 276 Grade 304
9 Gland packing	Graphite / PTFE
10 Gland nut	A 276 Grade 303
11 Handwheel	Aluminium alloy
13 Spring	B 103 Alloy A



Standard marking acc. to Pressure Equipment Directive 97/23/EG (PED).



Marking acc. to Directive 99/36/EG (TPED) will only be carried out by written notice on purchase order.

Type 01322 – Standard design	Technical data							
	Nominal size	Inches	1/2"	3/4"	1"	1 1/4"	1 1/2"	2"
Dimensions code	.X.	1521	2026	2533	3242	4048	5060	
Face-to-face dimension	FF	40	50	55	60	58	85	
Height	H	270 mm or 370 mm (10 1/2" or 14 1/2")						
Outside pipe-ø DIN EN ISO 327	RA	21.3	26.9	33.7	42.0	48.3	60.3	
Wall thickness pipe DIN EN ISO 1127	a	2.0	2.0	2.0	2.0	2.0	2.0	
Outside pipe-ø ASTM A312	RA	21.34	26.67	33.40	-	48.26	60.33	
Wall thickness pipe ATSM A312	a	S10	S10	S10	-	S10	S10	
Socket depth	b	10	13	13	13	13	16	
Handwheel-ø	B	100	100	100	125	125	125	
Wrench size across flats	S ₁	10	10	10	13	13	13	
Wrench size across flats	S ₂	30	30	30	36	36	36	
Weight	LBS.	3.08	3.52	4.84	8.8	9.46	14.3	
CV-Value	gal/min	t.b.c.	t.b.c.	t.b.c.	t.b.c.	t.b.c.	t.b.c.	

Dimensions in mm