

Cryogenic-Globe and Globe/Check Valves, 725 P.S.I.

Stainless steel body and topwork,
 "live loaded" gland packing
 "cleaned and degreased for oxygen service "

Part No. 01345.X.0016 (H = 270mm)

Part No. 01345.X.0026 (H = 370mm)

Part No. 01345.X.5016 (H = 270mm) Globe/Check Valve

Part No. 01345.X.5026 (H = 370mm) Globe/Check Valve

Female thread connection NPT acc. to ANSI B 1.20.1

Available options - on request only:

- Female thread connection (R) acc. to ISO 7-Rc
- Extension H up to 900mm (36")
- Valve with control disc (tapered design)

Applications:

Approved for air gases, vapours and cryogenic liquefied gases incl. LNG.
 Working temperature: -196°C / -321°F (77K) up to +120°C / +248°F (393K)

Materials	ASTM
1 Body	A 351 CF8
2 Valve seal	PTFE / Carbon filled (25%)
3 Disc	A 276 Grade 304
4 Bonnet gasket	PTFE
5 Headpiece	A 276 Grade 304
6 Bolts	A 194 B8
7 Elongation tube	A 213 TP 321
8 Stem	A 276 Grade 304
9 Gland packing	Graphite / PTFE
10 Gland nut	A 276 Grade 303
11 Handwheel	Aluminium alloy
12 Spring	A 276 Grade 302
13 Bush	B 103 Alloy A

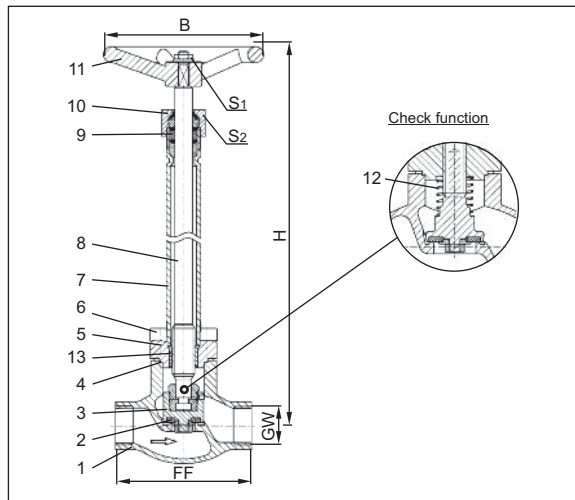
Standard marking acc. to Pressure Equipment Directive 97/23/EG (PED).



Marking acc. to Directive 99/36/EG (TPED) will only be carried out by written notice on purchase order.



GVTATSS Series



Type 01345 – Standard design	Technical data									
	Nominal size	Inches	3/8"	3/8"	1/2"	3/4"	1"	1 1/4"	1 1/2"	2"
Thread size	GW	1/4	3/8	1/2	3/4	1	1 1/4	1 1/2	2	
Dimensions code	.X.	200	0300	0400	0600	1000	1200	1400	2000	
Face-to-face dimension	FF	70	70	85	100	115	130	130	155	
Height	H	270 mm or 370 mm (10 1/2" or 14 1/2")								
Handwheel-Ø	B	80	80	100	100	100	125	125	125	
Wrench size across flats	S ₁	10	10	10	10	10	13	13	13	
Wrench size across flats	S ₂	30	30	30	30	30	36	36	36	
Weight	LBS.	3.08	3.08	3.74	4.62	5.28	10.34	10.34	15.84	
CV-Value	gal/min	1.9	2.6	5.0	7.8	13.4	23.9	26.3	43.2	

Dimensions in mm