

Cryogenic-Globe and Globe/Check Valves, 725 P.S.I.

Stainless steel body and topwork,
"live loaded" gland packing
"cleaned and degreased for oxygen service "

- Part No. 03341.X.0013 (H = 270mm)**
 - Part No. 03341.X.0023 (H = 370mm)**
 - Part No. 03341.X.5013 (H = 270mm) Globe/Check Valve**
 - Part No. 03341.X.5023 (H = 370mm) Globe/Check Valve**
- Flanged connection acc. to ANSI B16.5 class 300

Available options - on request only:

- Extension H up to 900mm (36")
- Valve with control disc (tapered design)



GVFLSS Series

Applications:

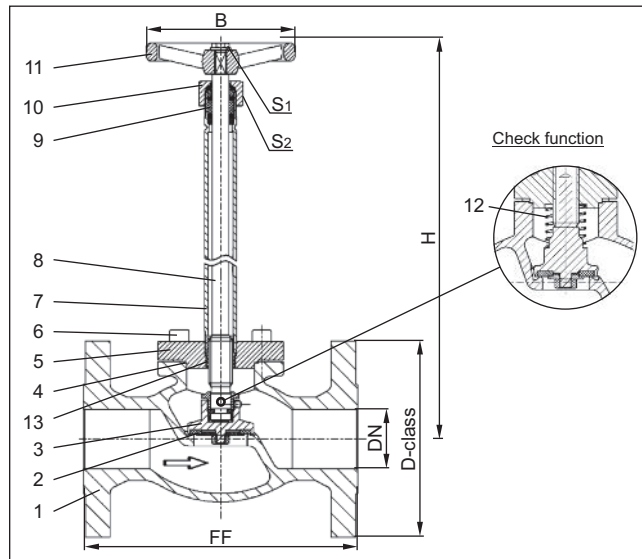
Approved for air gases, vapours and cryogenic liquefied gases incl. LNG.
Working temperature: -196°C / -321°F (77K) up to +120°C / +248°F (393K)

Materials	ASTM
1 Body	A 351 CF8
2 Valve seal up to 2"	PTFE / Carbon filled (25%)
2a Valve seal from 2½"	PTFE
3 Disc	A 276 Grade 304
4 Bonnet gasket	PTFE
5 Headpiece	A 276 Grade 304
6 Bolts	A 194 B8
7 Elongation tube	A 213 TP 321
8 Stem	A 276 Grade 304
9 Gland packing	Graphite / PTFE
10 Gland nut	A 276 Grade 303
11 Handwheel	Aluminium alloy
12 Spring	A 276 Grade 302
13 Bush	B 103 Alloy A

Standard marking acc. to Pressure Equipment Directive 97/23/EG (PED).



Marking acc. to Directive 99/36/EG (TPED) will only be carried out by written notice on purchase order.



Type 03341 – Standard design	Technical data							
	Nominal size	Inches	1"	1½"	2"	2½"	3"	4"
Dimensions code – Flange ANSI B16.5 class 300	.X.	1000	1400	2000	2400	3000	4000	
Flange-ø	D-class	123.9	155.4	165	190.5	209.5	254	
Face-to-face dimension	FF	160	200	230	290	310	350	
Height	H	140	175	200	260	310	350	
Handwheel-ø	B	100	125	125	200	250	315	
Wrench size across flats	S ₁	10	13	13	13	13	13	
Wrench size across flats	S ₂	30	36	36	36	36	41	
Weight	LBS.	10.78	21.34	29.26	46.42	61.6	95.04	
CV-Value	gal/min	13.4	26.3	43.2	82.7	120.9	195.2	

Dimensions in mm