

Cryogenic-Globe Valves with Pneumatic Actuator, 725 P.S.I.

Bronze body and stainless steel topwork (internal parts bronze)
Actuator - air opens, spring closes or contrary
“live loaded” gland packing
“ cleaned and degreased for oxygen service ” - the actuator is not cleaned and degreased for oxygen

Part No. 01313.X.1010

Socket end for copper stubs acc. to DIN EN 12449 or ASTM B88

Available accessories:

- Solenoid valve
- Limit switch
- Electropneumatic positioner etc.

Available options - on request only:

- Socket end for stainless steel pipes acc. to DIN EN ISO 1127
- Actuator “ cleaned and degreased for oxygen service ”
- Electric actuator
- Bellow sealed option

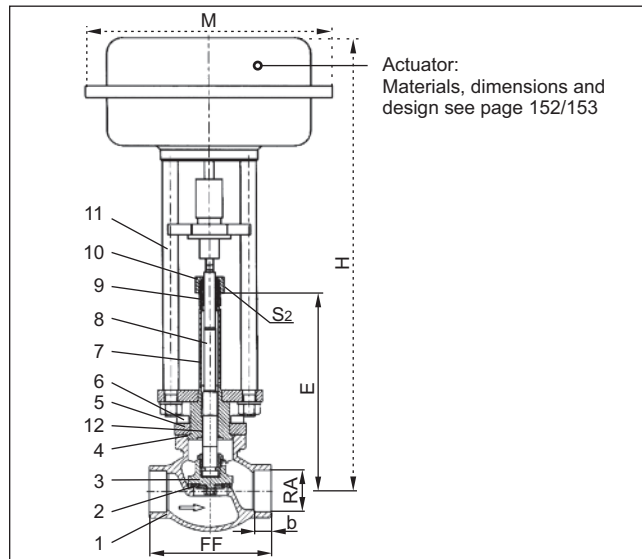


GVPABS Series

Applications:

Approved for air gases, vapours and cryogenic liquefied gases incl. LNG.
Working temperature: -196°C / -321°F (77K) up to +120°C / +248°F (393K)

Materials	ASTM
1 Body	B 62 UNS C83600
2 Valve seal	PTFE / Carbon filled (25%)
3 Disc	B 283 UNS C38500
4 Bonnet gasket	PTFE
5 Headpiece	A 276 Grade 304
6 Bolts	A 194 B8
7 Elongation tube	A 213 TP 321
8 Stem	A 276 Grade 304
9 Gland packing	Graphite / PTFE
10 Gland nut	B 283 UNS C38500
11 Pillars	A 276 Grade 304
12 Bush	B 103 UNS C51900



Standard marking acc. to Pressure Equipment Directive 97/23/EG (PED).



Marking acc. to Directive 99/36/EG (TPED) will only be carried out by written notice on purchase order.

Type 01313 – Standard design	Technical data							
	Inches	3/8"	1/2"	3/4"	1"	1 1/4"	1 1/2"	2"
Nominal size	.X.	X=DNRA, Example: valve DN15 for copper pipe RAø18mm, X=1518						
Dimensions code	.X.	X=DNRA, Example: valve DN15 for copper pipe RAø18mm, X=1518						
Face-to-face dimension	FF	60	85	85	115	115	140	160
Height	H	dependent on actuator						
Length	E	195	195	200	200	230	230	235
Outside pipe-ø	RA	dependent on order						
Socket depth	b	6	6	8	8	10	13	20
Actuator-ø	RA	dependent on order						
Wrench size across flats	S ₂	30	30	30	30	36	36	36
Weight w/o actuator	LBS.	3.52	5.06	5.94	6.82	9.46	13.64	20.24
CV-Value	gal/min	1.9	5.0	7.8	13.4	14.1	26.3	43.2

Dimensions in mm