

**Cryogenic-Control Valves with Pneumatic Actuator, 725 P.S.I.**

Control characteristic: linear or equal percentage  
Stainless steel body and topwork  
Actuator - air opens, spring closes or contrary  
"live loaded" gland packing  
"cleaned and degreased for oxygen service" - the actuator is not cleaned and degreased for oxygen

**Part No. 01343.X.161\***

\*Butt weld connection for stainless steel pipes acc. to DIN EN ISO 1127 or ASTM A312

**Part No. 01343.X.1614**

Socket weld connection for stainless steel pipes acc. to DIN EN ISO 1127 or ASTM A312

Available accessories:

- Solenoid valve,
- Limit switch
- Electropneumatic positioner etc.

Available options - on request only:

- Welded stainless steel stubs acc. to DIN EN ISO 1127 or ASTM A312 - length FF + 150mm
- Electric actuator
- Bellow sealed option

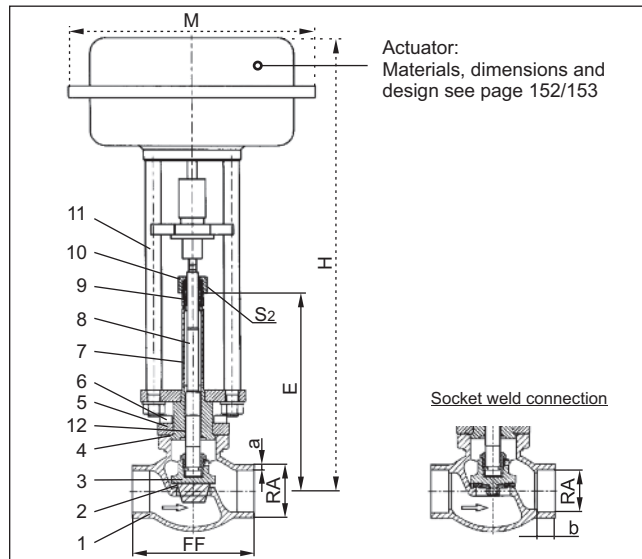
**Applications:**

Approved for air gases, vapours and cryogenic liquefied gases incl. LNG.  
Working temperature: -196°C / -321°F (77K) up to +120°C / +248°F (393K)



*GVPASS Series*

Materials	ASTM
1 Body	A 351 CF8
2 Valve seal up to 2"	PTFE / Carbon filled (25%)
2a Valve seal from 2-1/2"	PTFE
3 Disc	A 276 Grade 304
4 Bonnet gasket	PTFE
5 Headpiece	A 276 Grade 304
6 Bolts	A 194 B8
7 Elongation tube	A 213 TP 321
8 Stem	A 276 Grade 304
9 Gland packing	Graphite / PTFE
10 Gland nut	A 276 Grade 303
11 Pillars	A 276 Grade 304
12 Bush	B 103 UNS C51900



Standard marking acc. to Pressure Equipment Directive 97/23/EG (PED).



Type 01343 – Standard design	Technical data										
	Nominal size	Inches	1/2"	3/4"	1"	1 1/4"	1 1/2"	2"	2 1/2"	3"	4"
Dimensions code	.X.	1521	2026	2533	3238	4048	5060	657x	8088	0114	
Face-to-face dimension	FF	85	100	115	115	130	155	205	245	280	
Height	H	dependent on actuator									
Length	E	195	200	200	230	230	235	300	300	300	
Outside pipe -ø DIN EN ISO 1127	RA	21.3	26.9	33.7	38.0	48.3	60.3	76.1	88.9	114.3	
Wall thickness pipe DIN EN ISO 1127	a	2.0	2.0	2.0	2.0	2.0	2.0	2.6	3.2	6.0	
Outside pipe -ø ASTM A312	RA	21.34	26.67	33.40	-	48.26	60.33	73.03	88.90	114.3	
Wall thickness pipe ASTM A312	a	S10	S10	S10	-	S10	S10	S40	S10	S10	
Actuator-ø	M	dependent on actuator									
Wrench size across flats	S <sub>2</sub>	30	30	30	36	36	36	36	36	41	
Weight w/o actuator	LBS.	4.85	5.29	6.83	8.38	14.33	19.84	35.51	44.09	61.73	

Dimensions in mm