

### Cryogenic-Globe Valves with Pneumatic Actuator, 725 P.S.I.

- Stainless steel body and topwork
- Actuator - air opens, spring closes or contrary
- “live loaded” gland packing
- “ cleaned and degreased for oxygen service ” - the actuator is not cleaned and degreased for oxygen

#### Part No. 03343.X.1013

Flanged connection acc. to ANSI B16.5 class 300

#### Available accessories:

- Solenoid valve
- Limit switch
- Electropneumatic positioner etc.

#### Available options - on request only:

- Actuator - “ cleaned and degreased for oxygen service ”
- Electric actuator
- Bellow sealed option
- Valve with control disc (tapered design)

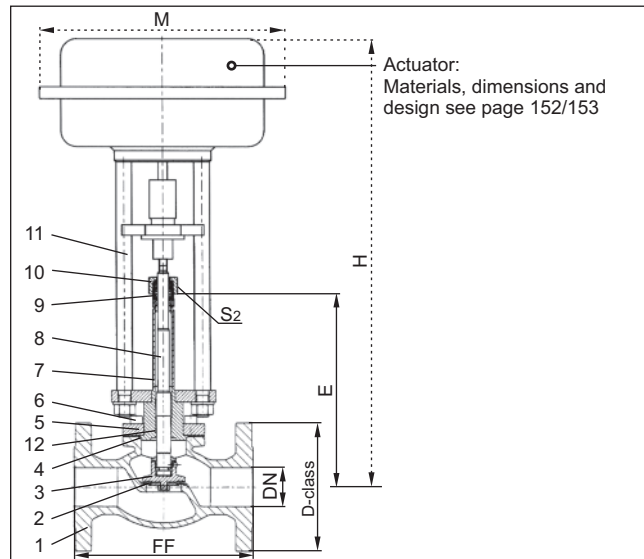


GVP AFLS Series

#### Applications:

Approved for air gases, vapours and cryogenic liquefied gases incl. LNG.  
Working temperature: -196°C / -321°F (77K) up to +120°C / +248°F (393K)

Materials	ASTM
1 Body	A 351 CF8
2 Valve seal up to 2"	PTFE / Carbon filled (25%)
2a Valve seal from 2-1/2"	PTFE
3 Disc	A 276 Grade 304
4 Bonnet gasket	PTFE
5 Headpiece	A 276 Grade 304
6 Bolts	A 194 B8
7 Elongation tube	A 213 TP 321
8 Stem	A 276 Grade 304
9 Gland packing	Graphite / PTFE
10 Gland nut	A 276 Grade 303
11 Pillars	A 276 Grade 304
12 Bush	B 103 UNS C51900



Standard marking acc. to Pressure Equipment Directive 97/23/EG (PED).



Marking acc. to Directive 99/36/EG (TPED) will only be carried out by written notice on purchase order.



Type 03343 – Standard design	Technical data							
	Nominal size	Inches	1"	1½"	2"	2½"	3"	4"
Dimensions code – Flange ANSI B16.5 class 300	.X.	1000	1400	2000	2400	3000	4000	
Flange-ø	D-class	123.9	155.4	165	190.5	209.5	254	
Face-to-face dimension	FF	160	200	230	290	310	350	
Height	H	dependent on actuator						
Length	E	200	230	235	300	300	300	
Actuator-ø	M	dependent on actuator						
Wrench size across flats	S <sub>2</sub>	30	36	36	36	36	41	
Weight	LBS.	11.88	24.64	33.66	51.92	68.2	102.96	
CV-Value	gal/min	13.4	26.3	43.2	82.7	120.9	195.2	

Dimensions in mm