

Cryogenic-Globe Valves with Pneumatic Actuator

air pressure for operation 87 P.S.I. (maximum 145 P.S.I.)
Stainless steel body and topwork,
Actuator - air opens, spring closes
“live loaded” gland packing
“ cleaned and degreased for oxygen service ” - the actuator is not cleaned and degreased for oxygen
maximum working pressure of valve 10,0 bar

Part No. 01353.X.T00*

*Butt weld connection for stainless steel pipes acc. to DIN EN ISO 1127 or ASTM A312

Part No. 01353.X.T004

Socket weld connection for stainless steel pipes acc. to DIN EN ISO 1127 and ASTM A312

Available options - on request only:

· Welded stainless steel stubs acc. to DIN EN ISO 1127 or ASTM A312 - length FF + 150mm



GVNPASS Series

Applications:

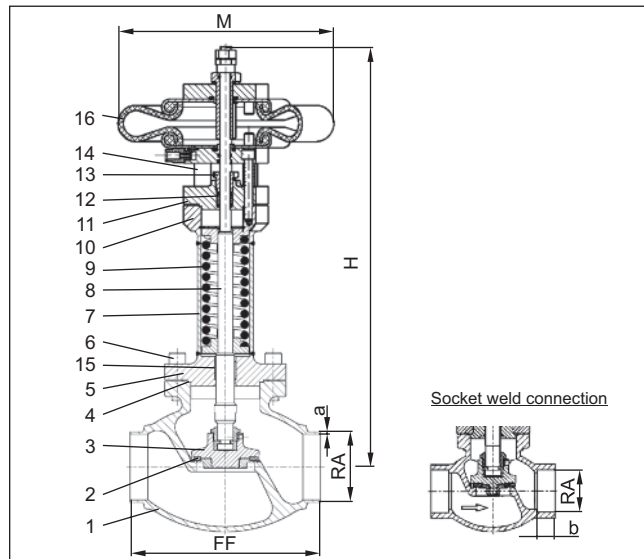
Approved for air gases, vapours and cryogenic liquefied gases incl. LNG.
Working temperature: -196°C / -321°F (77K) up to +120°C / +248°F (393K)

Materials	ASTM
1 Body	A 351 CF8
2 Valve seal up to 2"	PTFE / Carbon filled (25%)
2a Valve seal from 2½"	PTFE
3 Disc	A 276 Grade 304
4 Bonnet gasket	PTFE
5 Headpiece flange	A 276 Grade 304
6 Bolts	A 194 B8
7 Elongation tube	A 312 TP 304L
8 Stem	A 276 Grade 304
9 Spring	A 276 Grade 316Ti
10 Flange	A 276 Grade 304
11 Headpiece	A 276 Grade 304
12 Gland packing	Graphite / PTFE
13 Gland nut	A 276 Grade 316Ti
14 Pillars	A 276 Grade 304
15 Bush	B 103 UNS C51900
16 Actuator	Rubber

Standard marking acc. to Pressure Equipment Directive 97/23/EG (PED).



Marking acc. to Directive 99/36/EG (TPED) will only be carried out by written notice on purchase order.



Type 01353	Technical data					
	Nominal size	Inches	1½"	2"	2½"	3"
Dimensions code	.X.	4042	4048	5060	657x	8088
Face-to-face dimension	FF	130	130	155	205	245
Height	H	42.4	48.3	60.3	76.1	88.9
Outside pipe -ø ATSM A312	RA	42.16	48.26	60.33	73.03	88.90
Wall thickness pipe ASTM A312	a	S10	S10	S10	S40	S10
Socket depth	b	13	13	16	16	16
Actuator-ø	M	229	229	229	229	229
Weight	LBS.	23.14	23.14	31.96	38.36	49.60
CV-Value	gal/min	23.9	26.3	43.2	82.7	120.9

Dimensions in mm