

Cryogenic-Globe and Globe/Check Valves, 725 P.S.I.

Bronze body and topwork
“live loaded” gland packing
“ cleaned and degreased for oxygen service “

Part No. 01301.X.0007

Part No. 01301.X.5007 Globe/Check Valve

Complete with brazed stainless steel stubs acc. to DIN EN 10216-5 or ASTM A312

Available options - on request only:

· Valve with control disc (tapered design)

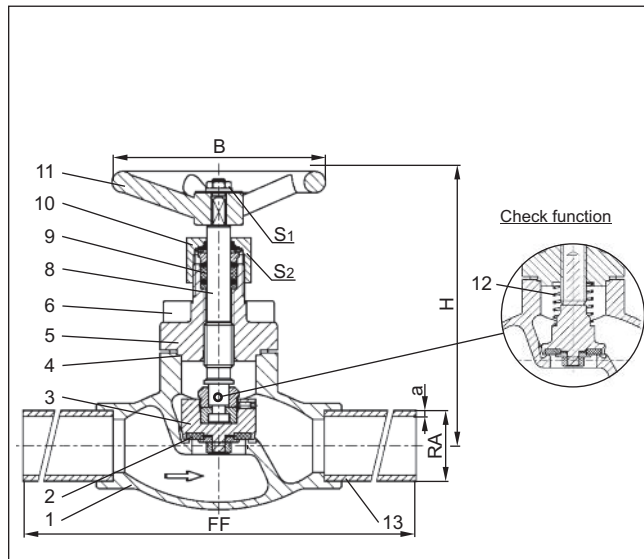


GVNPSB Series

Applications:

Approved for air gases, vapours and cryogenic liquefied gases incl. LNG.
Working temperature: -196°C / -321°F (77K) up to +120°C / +248°F (393K)
Recommended working temperature: -60°C / -76°F (213K) up to +120°C / +248°F (393K)

| Materials | ASTM |
|--------------------------|----------------------------|
| 1 Body | B 62 UNS C83600 |
| 2 Valve seal | PTFE / Carbon filled (25%) |
| 3 Disc | B 283 UNS C38500 |
| 4 Bonnet gasket | PTFE |
| 5 Headpiece | B 505 UNS C93200 |
| 6 Bolts | A 194 B8 |
| 8 Stem | A 276 Grade 304 |
| 9 Gland packing | Graphite / PTFE |
| 10 Gland nut | B 283 UNS C38500 |
| 11 Handwheel | Aluminium alloy |
| 12 Spring | B 103 UNS C51900 |
| 13 Stainless steel stubs | A 312 TP304L |



Standard marking acc. to Pressure Equipment Directive 97/23/EG (PED).



Marking acc. to Directive 99/36/EG (TPED) will only be carried out by written notice on purchase order.

| Type 01301 – Standard design | Technical data | | | | | | | | | |
|-------------------------------------|----------------|--------|-------|-------|-------|------|-------|--------|--------|----|
| | Nominal size | Inches | 3/8" | 3/8" | 1/2" | 3/4" | 1" | 1 1/4" | 1 1/2" | 2" |
| Dimensions code | .X. | 1012 | 1017 | 1521 | 2027 | 2533 | 3242 | 4048 | 5060 | |
| Face-to-face dimension | FF | 210 | 210 | 235 | 235 | 265 | 265 | 290 | 310 | |
| Height | H | 140 | 140 | 140 | 140 | 140 | 170 | 175 | 200 | |
| Outside pipe -ø DIN EN ISO 1127 | RA | 12.0 | 17.2 | 21.3 | 26.9 | 33.7 | 42.4 | 48.3 | 60.3 | |
| Wall thickness pipe DIN EN ISO 1127 | a | 1.0 | 2.3 | 2.6 | 2.9 | 3.2 | 3.2 | 3.6 | 3.6 | |
| Outside pipe -ø ASTM A312 | RA | - | 17.15 | 21.34 | 26.67 | 33.4 | 42.16 | 48.26 | 60.33 | |
| Wall thickness pipe ASTM A312 | a | - | S40 | S10 | S10 | S10 | S10 | S10 | S10 | |
| Handwheel-ø | B | 80 | 80 | 100 | 100 | 100 | 125 | 125 | 125 | |
| Wrench size across flats | S ₁ | 10 | 10 | 10 | 10 | 10 | 13 | 13 | 13 | |
| Wrench size across flats | S ₂ | 30 | 30 | 30 | 30 | 30 | 36 | 36 | 36 | |
| Weight | LBS. | 2.31 | 2.53 | 3.3 | 3.96 | 5.28 | 7.04 | 10.56 | 16.5 | |
| CV-Value | gal/min | 2.6 | 2.6 | 5.0 | 7.8 | 13.4 | 14.1 | 26.3 | 43.2 | |

Dimensions in mm