

Cryogenic-Globe and Globe/Check Valves, 725 P.S.I.

Bronze body and topwork
 "live loaded" gland packing
 "cleaned and degreased for oxygen service "

Part No. 01305.X.0006

Part No. 01305.X.5006 Globe/Check Valve

Female thread connection NPT acc. to ANSI B 1.20.1

Available options - on request only:

- Valve with control disc (tapered design)

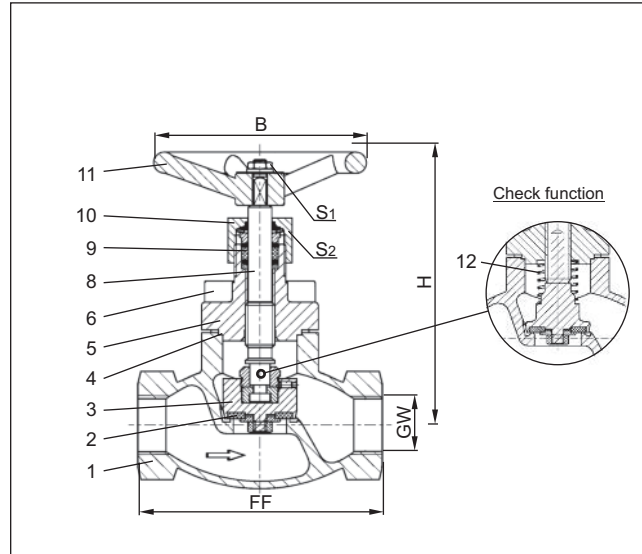


GVNB Series

Applications:

Approved for air gases, vapours and cryogenic liquefied gases incl. LNG.
 Working temperature: -196°C / -321°F (77K) up to +120°C / +248°F (393K)
 Recommended working temperature: -60°C / -76°F (213K) up to +120°C / +248°F (393K)

Materials	ASTM
1 Body	B 62 UNS C83600
2 Valve seal	PTFE / Carbon filled (25%)
3 Disc	B 283 UNS C38500
4 Bonnet gasket	PTFE
5 Headpiece	B 505 UNS C93200
6 Bolts	A 194 B8
8 Stem	A 276 Grade 304
9 Gland packing	Graphite / PTFE
10 Gland nut	B 283 UNS C38500
11 Handwheel	Aluminium alloy
12 Spring	B 103 UNS C51900



Standard marking acc. to Pressure Equipment Directive 97/23/EG (PED).



Marking acc. to Directive 99/36/EG (TPED) will only be carried out by written notice on purchase order.



Type 01305 – Standard design	Technical data								
	Inches	3/8"	3/8"	1/2"	3/4"	1"	1 1/4"	1 1/2"	2"
Nominal size	GW	1/4	3/8	1/2	3/4	1	1 1/4	1 1/2	2
Thread size	.X.	200	0300	0400	0600	1000	1200	1400	2000
Dimensions code	FF	60	60	85	85	115	115	140	160
Face-to-face dimension	H	140	140	140	140	140	170	175	200
Height	B	80	80	100	100	100	125	125	125
Handwheel-Ø	S ₁	10	10	10	10	10	13	13	13
Wrench size across flats	S ₂	30	30	30	30	30	36	36	36
Weight	LBS.	2.2	2.2	2.86	3.74	4.4	6.16	9.24	14.74
CV-Value	gal/min	1.9	2.6	5.0	7.8	13.4	23.9	26.3	43.2

Dimensions in mm