

Cryogenic-Globe and Globe/Check Valves, 725 P.S.I.

- Bronze body and topwork
- “live loaded” gland packing
- “cleaned and degreased for oxygen service “

Part No. 01311.X.0010 (H=270mm)

Part No. 01311.X.0020 (H=370mm)

Part No. 01311.X.5010 (H=270mm) Globe/Check Valve

Part No. 01311.X.5020 (H=370mm) Globe/Check Valve

Socket end for copper stubs acc. to DIN EN 12449 or ASTM B88

Available options - on request only:

- Socket end for stainless steel stubs acc. to DIN EN ISO 1127
- Extension H up to 900mm (36”)
- Valve with control disc (tapered design)

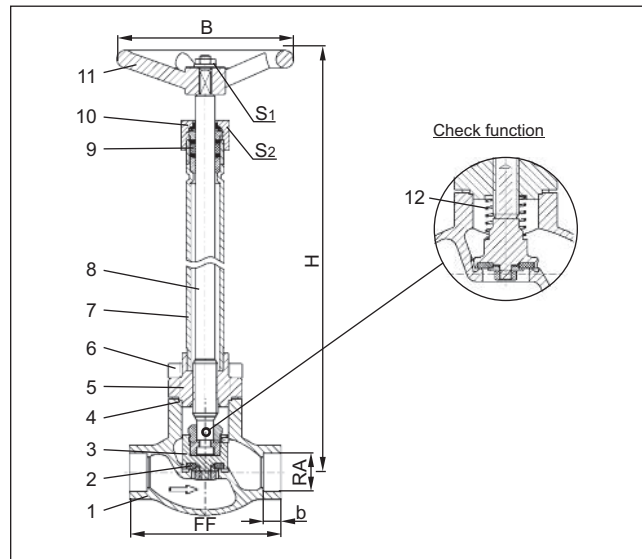


GVMPB Series

Applications:

Approved for air gases, vapours and cryogenic liquefied gases incl. LNG.
Working temperature: -196°C / -321°F (77K) up to +120°C / +248°F (393K)

Materials	ASTM
1 Body	B 62 UNS C83600
2 Valve seal	PTFE / Carbon filled (25%)
3 Disc	B 283 UNS C38500
4 Bonnet gasket	PTFE
5 Headpiece	B 505 UNS C93200
6 Bolts	A 194 B8
7 Elongation tube	A 213 TP 321
8 Stem	A 276 Grade 304
9 Gland packing	Graphite / PTFE
10 Gland nut	B 283 UNS C38500
11 Handwheel	Aluminium alloy
12 Spring	B 103 UNS C51900



Standard marking acc. to Pressure Equipment Directive 97/23/EG (PED).



Marking acc. to Directive 99/36/EG (TPED) will only be carried out by written notice on purchase order.



Type 01311 – Standard design	Technical data								
	Nominal size	Inches	3/8"	1/2"	3/4"	1"	1 1/4"	1 1/2"	2"
Dimensions code	.X.	X=DNRA, Example: valve DN15 for copper pipe RAø18mm, X=1518							
Face-to-face dimension	FF	60	85	85	115	115	140	160	
Height	H	270mm or 370 mm (10 1/2" or 14 1/2")							
Outside pipe-ø	RA	dependent on order							
Socket depth	b	6	6	8	8	10	13	20	
Handwheel-ø	B	80	100	100	100	125	125	125	
Wrench size across flats	S ₁	10	10	10	10	13	13	13	
Wrench size across flats	S ₂	30	30	30	30	36	36	36	
Weight	LBS.	3.08	3.94	4.62	5.28	7.26	10.34	15.84	
CV-Value	gal/min	1.9	5.0	7.8	13.4	14.1	26.3	43.2	

Dimensions in mm