

Cryogenic-Globe and Globe/Check Valves, 725 P.S.I.

Bronze body and topwork
"live loaded" gland packing
"cleaned and degreased for oxygen service "

Part No. 01311.X.0018 (H=270mm)

Part No. 01311.X.0028 (H=370mm)

Part No. 01311.X.5018 (H=270mm) Globe/Check Valve

Part No. 01311.X.5028 (H=370mm) Globe/Check Valve

Complete with copper stubs acc. to DIN EN 12449

Available options - on request only:

- Extension H up to 900mm (36")
- Valve with control disc (tapered design)

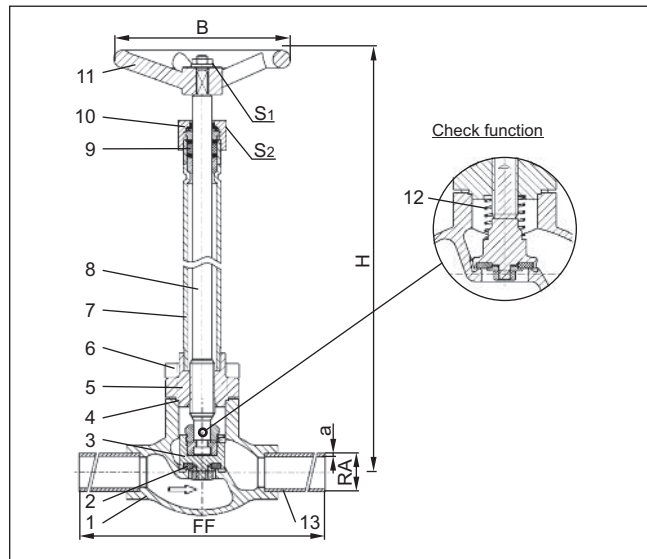


GVMPB Series

Applications:

Approved for air gases, vapours and cryogenic liquefied gases incl. LNG.
Working temperature: -196°C / -321°F (77K) up to +120°C / +248°F (393K)

Materials	ASTM
1 Body	B 62 UNS C83600
2 Valve seal	PTFE / Carbon filled (25%)
3 Disc	B 283 UNS C38500
4 Bonnet gasket	PTFE
5 Headpiece	B 505 UNS C93200
6 Bolts	A 194 B8
7 Elongation tube	A 213 TP 321
8 Stem	A 276 Grade 304
9 Gland packing	Graphite / PTFE
10 Gland nut	B 283 UNS C38500
11 Handwheel	Aluminium alloy
12 Spring	B 103 UNS C51900
13 Copper stubs	B 152



Standard marking acc. to Pressure Equipment Directive 97/23/EG (PED).



Marking acc. to Directive 99/36/EG (TPED) will only be carried out by written notice on purchase order.



Type 01311 – Standard design	Technical data									
Nominal size	Inches	3/8"	1/2"	1/2"	3/4"	1"	1 1/4"	1 1/2"	2"	
Dimensions code	.X.	1012	1515	1518	2022	2528	3235	4042	5054	
Face-to-face dimension	FF	360	385	385	385	415	415	420	460	
Height	H	270 mm or 370 mm (10 1/2" or 14 1/2")								
Outside pipe-ø	RA	12.0	156.0	18.0	22.0	28.0	35.0	42.0	54.0	
Wall thickness pipe	a	1.0	1.5	1.5	1.5	1.5	1.5	1.5	2.0	
Handwheel-ø	B	80	80	100	100	100	125	125	125	
Wrench size across flats	S ₁	10	10	10	10	10	13	13	13	
Wrench size across flats	S ₂	30	30	30	30	30	36	36	36	
Weight	LBS.	3.3	4.18	4.18	5.28	6.16	8.14	11.44	17.16	
CV-Value	gal/min	2.6	5.0	5.0	7.8	13.4	14.1	26.3	43.2	

Dimensions in mm