

Cryogenic Safety Valves, angle type, bronze, 725 P.S.I., type tested ~~TSW~~ 780. S/G

Full lift safety valve, orifice $d_0=23\text{mm}$ standard safety valve, with carbon filled PTFE valve seal, closed bonnet "cleaned and degreased for oxygen service"

Part No. 06388.X.6000

Inlet: male thread NPT acc. to ANSI B 1.20.1, Outlet: female thread NPT acc. to ANSI B 1.20.1

Available options - on request only:

- external parts nickel plated
- with installed elbow at the outlet



SVB Series

Applications:

Provided as safety device for protection against excessive pressure in stationary and moveable gas cylinders. Approved for air gases, vapours and cryogenic liquefied gases incl. LNG. Working temperature: -196°C / -321°F (77K) up to $+185^\circ\text{C}$ / $+365^\circ\text{F}$ (458K)

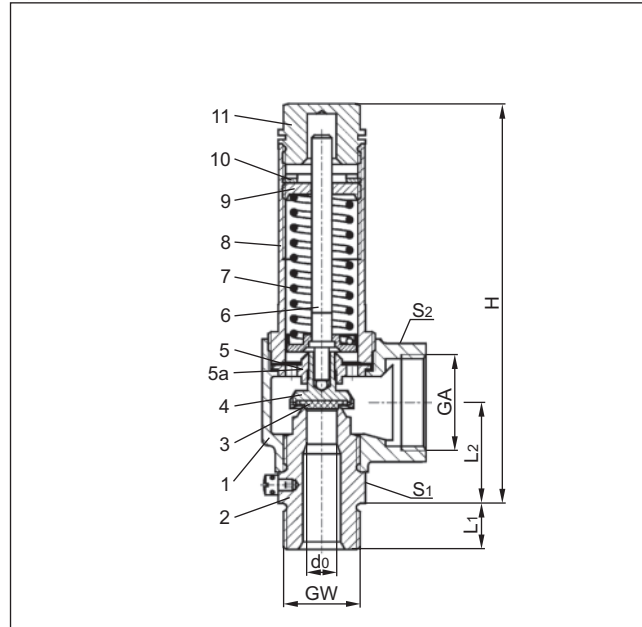
Materials	ASME / ASTM
1 Outlet body	SB 62 UNS C83600
2 Inlet body	SA-479.304
3 Valve seal	PTFE / Elektrocarbon (25%)
4 Disc	SB 505 UNS C93200
5 Guide plate	SB 505 UNS C93200
5a Guide plate from GW 1	SB 103 UNS C52100
6 Stem	SB 103 UNS C52100
7 Spring	SA-479.316
8 Bonnet	A 351 CF 8
9 Spring clamp	EN 12164 R400
10 Thread ring	EN 12164 R400
11 Cap	EN 12164 R400

Essential: Valves are delivered at a set pressure, therefore when ordering please confirm set pressure, medium and temperature.

Standard marking acc. to Pressure Equipment Directive 97/23/EC (PED) and ASME Code Section VIII.



Marking acc. to Directive 99/36/EG (TPED) will only be carried out by written notice on purchase order.



Type 06388	Technical data							
	Nominal size	GW	1/2	3/4	1	1-1/4	1-1/2	
Orifice	d_0	7.0	7.0	10.5	10.5	15.0	23.0	23.0
Dimension code	.X.	0704	0706	1004	1006	1510	2312	2314
Set pressure range	P.S.I.	48-725	48-725	42-725	42-725	42-725	29-725	29-725
Outlet	GA	1	1	1	1	1-1/4	2	2
Height	H	140	140	140	140	157	218	218
Length	L_1	14	16	14	16	18	20	20
Length	L_2	36	36	36	36	42	56	56
Wrench size across flats	S_1	30	30	30	30	41	55	55
Wrench size across flats	S_2	41	41	41	41	50	70	70
Weight	LBS	1.7	1.76	1.67	1.74	2.79	6.71	6.82
Coefficient of discharge	ζ_w	0.82	0.82	0.58	0.58	0.5	0.62	0.62

Dimensions in mm