

Type 06002, Type 06006

Cryogenic Safety Valves, angle type, brass, 652 P.S.I., type tested TÜV-SV. 1048. S/G

Standard safety valve,
with carbon filled PTFE valve seal, open bonnet
Outlet: female thread Rc 3/8 acc. to ISO 7/1
" cleaned and degreased for oxygen service "

Part No. 06002.X.5000

Part No. 06006.X.5000 (with lifting device)

Inlet: male thread NPT acc. to ANSI B 1.20.1

Available options- on request only:

- with installed elbow at the outlet



SVBR Series

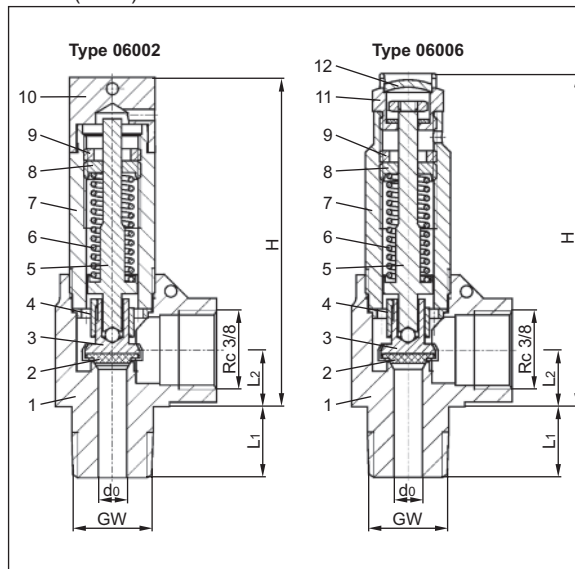
Applications:

Provided as safety device for protection against thermal expansion in pipeworks and parts of facilities.

Approved for air gases, vapours and cryogenic liquefied gases incl. LNG.

Working temperature: -196°C / -321°F (77K) up to +150°C / +302°F (423K)

| Materials | ASTM |
|-------------------|----------------------------|
| 1 Body | B 111 UNS C28000 |
| 2 Valve seal | PTFE / Carbon filled (25%) |
| 3 Disc | B 103 UNS C51900 |
| 4 Guide plate | B 505 UNS C93200 |
| 5 Stem | B 283 UNS C38500 |
| 6 Spring | A 276 Grade 316Ti |
| 7 Bonnet | B 283 UNS C38500 |
| 8 Spring clamp | B 283 UNS C38500 |
| 9 Thread ring | B 283 UNS C38500 |
| 10 Cap | B 283 UNS C38500 |
| 11 Lifting device | B 283 UNS C38500 |
| 12 Closing cap | B 30 UNS C26800 |



Essential: Valves are delivered at a set pressure, therefore when ordering please confirm set pressure, medium and temperature.

Standard marking acc. to Pressure Equipment Directive 97/23/EC (PED).



Marking acc. to Directive 99/36/EG (TPED) will only be carried out by written notice on purchase order.

| Technical data | Type 06002 | | | Type 06006 | | | | |
|---------------------------------------|----------------|--------|--------|------------|--------|--------|--------|--------|
| | Nominal size | GW | 1/4 | 3/8 | 1/2 | 1/4 | 3/8 | 1/2 |
| Orifice | d ₀ | 6.0 | 6.0 | 6.0 | 6.0 | 6.0 | 6.0 | 6.0 |
| Dimension code | .X. | 0200 | 0300 | 0400 | 0200 | 0300 | 0400 | |
| Set pressure range | P.S.I. | 15-652 | 15-652 | 15-652 | 15-652 | 15-652 | 15-652 | 15-652 |
| Height | H | 70 | 70 | 70 | 72 | 72 | 72 | 72 |
| Length | L ₁ | 13 | 15 | 17 | 13 | 15 | 17 | |
| Length | L ₂ | 13 | 13 | 13 | 13 | 13 | 13 | |
| Weight | LBS | .41 | .45 | .48 | .40 | .43 | .46 | |
| Coefficient of discharge from 3.0 bar | ? _w | 0.42 | 0.42 | 0.42 | 0.42 | 0.42 | 0.42 | 0.42 |

Dimensions in mm