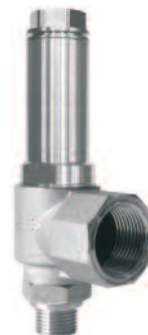


**Cryogenic Safety Valves, angle type, stainless steel, 725 P.S.I., type tested TÜV-SV. 780. S/G**

Full lift safety valve, orifice  $d_0=23\text{mm}$  standard safety valve, with carbon filled PTFE valve seal, closed bonnet "cleaned and degreased for oxygen service"

**Part No. 06383.X.6000**

Inlet: male thread NPT acc. to ANSI B 1.20.1, Outlet: female thread NPT acc. to ANSI B 1.20.1



SVSS Series

**Applications:**

Provided as safety device for protection against excessive pressure in stationary and moveable gas cylinders.

Approved for air gases, vapours and cryogenic liquefied gases incl. LNG.

Working temperature:  $-196^{\circ}\text{C}$  /  $-321^{\circ}\text{F}$  (77K) up to  $+185^{\circ}\text{C}$  /  $+365^{\circ}\text{F}$  (458K)

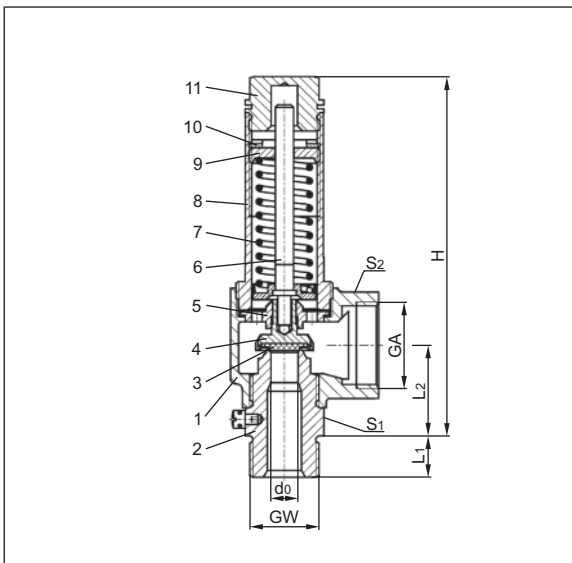
Materials	ASME / ASTM
1 Outlet body	SA-351.CF 8
2 Inlet body	SA-479.304
3 Valve seal	PTFE / Elektrocarbon (25%)
4 Disc	SA-479.304
5 Guide plate	SA-479.304
6 Stem	SA-479.304
7 Spring	SA-479.316Ti
8 Bonnet	A 351 CF 8
9 Spring clamp	SA-479.304
10 Thread ring	SA-479.304
11 Cap	SA-479.304

**Essential:** Valves are delivered at a set pressure, therefore when ordering please confirm set pressure, medium and temperature.

Standard marking acc. to Pressure Equipment Directive 97/23/EC (PED) and ASME Code Section VIII.



Marking acc. to Directive 99/36/EG (TPED) will only be carried out by written notice on purchase order.



Type 06388	Technical data							
Nominal size	GW	1/2	3/4	1	1-1/4	1-1/2	2	2-1/2
Orifice	$d_0$	7.0	10.5	15.0	23.0	23.0	23.0	23.0
Dimension code	.X.	0704	0706	1004	1006	1510	2312	2314
Set pressure range	P.S.I.	48-725	48-725	42-725	42-725	29-725	29-725	29-725
Outlet	GA	1	1	1	1-1/4	2	2	2
Height	H	140	140	140	140	157	218	218
Length	$L_1$	14	16	14	16	18	20	20
Length	$L_2$	36	36	36	36	42	56	56
Wrench size across flats	$S_1$	30	30	30	30	41	55	55
Wrench size across flats	$S_2$	41	41	41	41	50	70	70
Weight	LBS	1.7	1.76	1.67	1.74	2.79	6.71	6.82
Coefficient of discharge	$?_w$	0.82	0.82	0.58	0.58	0.5	0.62	0.62

Dimensions in mm